

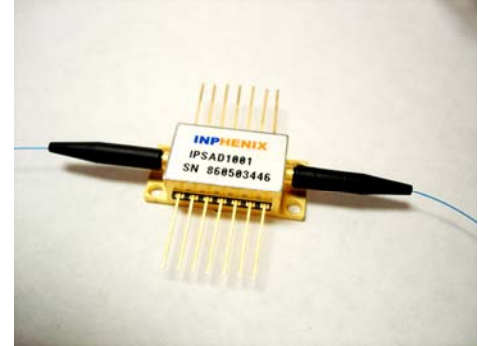
# INPHENIX

## Semiconductor Optical Amplifier Device (In-Line Type)

### IPSAD1506 (1525nm)

#### Features

- Wide Optical Bandwidth
- High Gain
- Low Gain Ripple
- MQW or Bulk Structure



#### Applications

- In-Line Amplifier
- Loss Compensation
- Telecom

#### Device Specifications

Parameter	Symbol	Specifications			Unit
		Min.	Typ.	Max.	
Drive Current	$I_F$	-	300	450	mA
Operating Wavelength	$\lambda_o$	-	1525	-	nm
3dB Optical Bandwidth	$\Delta\lambda_{3dB}$	-	50	-	nm
Small Signal Gain at @ - 25dBm Signal	$G_{max}$	19	-	-	dB
Gain Ripple with Respect to $\lambda$	$\Delta G$	-	-	1.5	dB
Saturation Output Power	$P_{sat}$	7	-	-	dBm
Noise Figure	NF	-	-	8	dB
Polarization Dependent Gain	PDG	10	-	-	dB

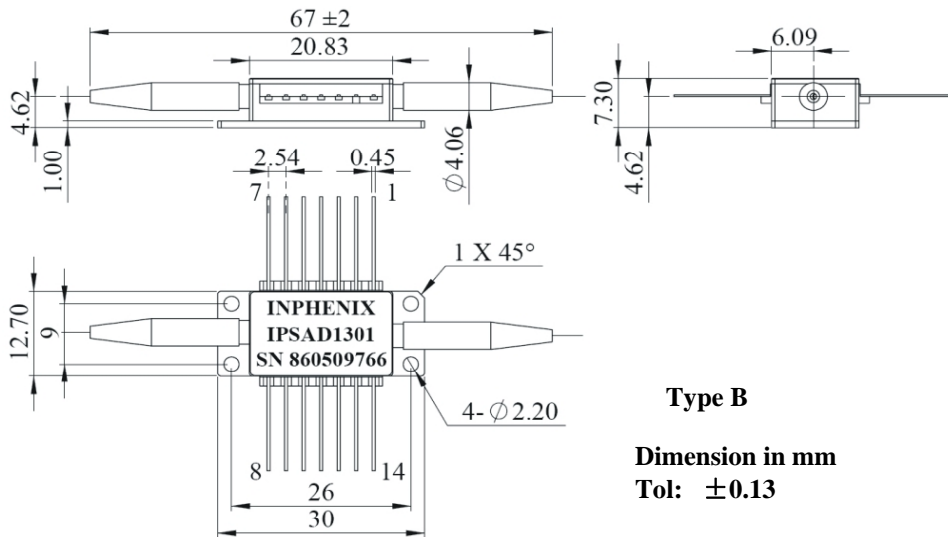
# INPHENIX

## Absolute Maximum Ratings

Parameter	Min.	Max.	Unit
Operating Temperature	- 20	70	°C
Storage Temperature	- 40	85	°C
SOA Forward Current	-	500	mA
SOA Reverse Voltage	-	2.5	V
TEC Drive Current	-	1.5	A
TEC Drive Voltage	-	3.6	V
Thermistor Resistance	10kΩ @ 25°C		
SOA Chip Temperature Setting	25°C		
Fiber Type	SMF/PMF/MMF ClearCurve Fiber		
Fiber Jacket	250μm tight buffer with/without 900μm loose tube, or 900μm tight buffer		
Package	14-pin Butterfly Type B or C		

# INPHENIX

## Package Dimensions

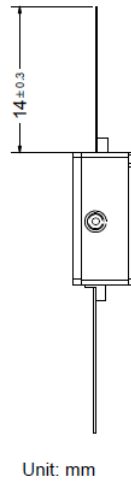
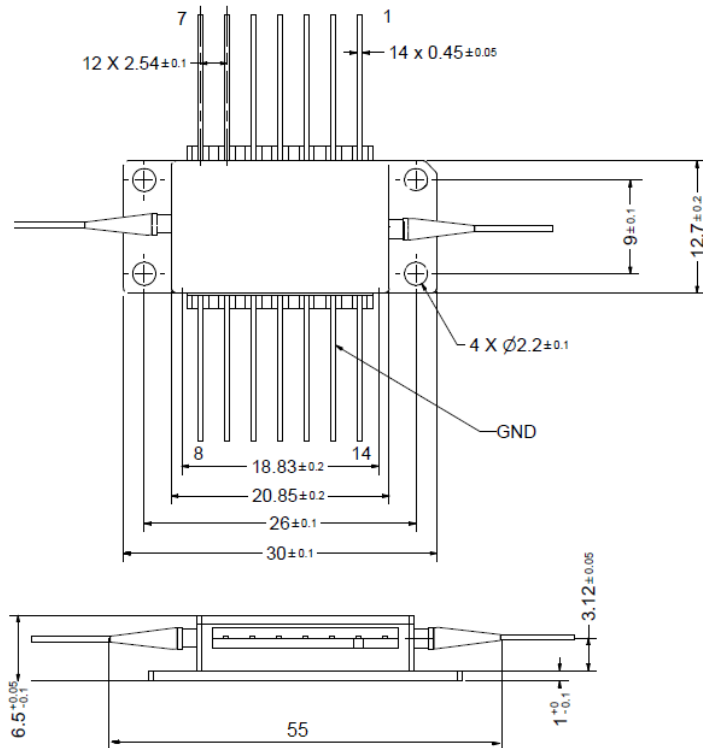


## Pin Definition

Pin	14-pin Butterfly
1	TEC(+)
2	NC
3	Thermistor *
4	Thermistor *
5	NC
6	NC
7	NC
8	NC
9	NC
10	SOA(+)
11	SOA(-)
12	NC
13	Case
14	TEC(-)

Option: Pin 2 & Pin 5 for thermistor

# INPHENIX



## Type C

Dimension in mm  
Tol:  $\pm 0.13$

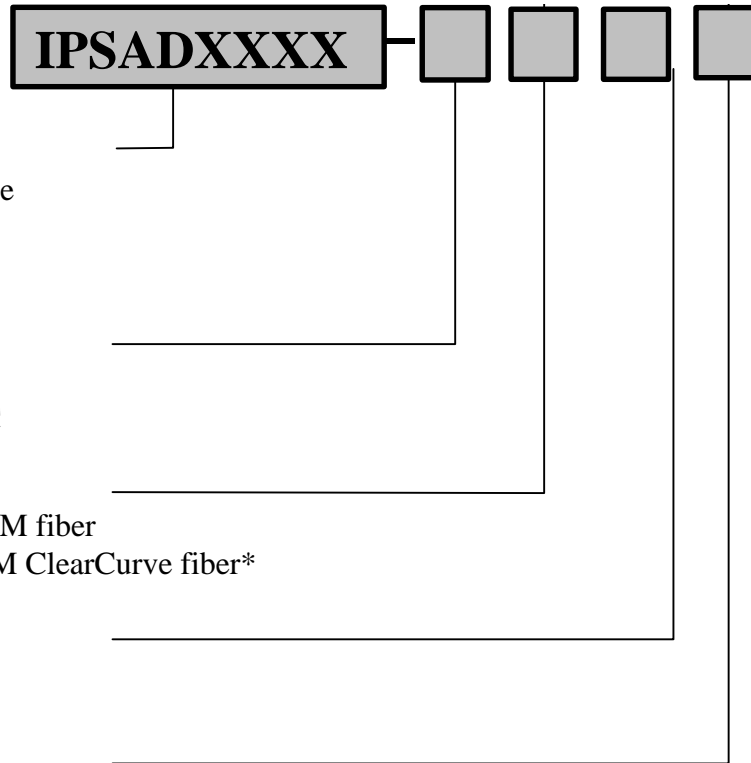
## Pin Definition

Pin	14-pin Butterfly
1	TEC(+)
2	NC
3	Thermistor *
4	Thermistor *
5	NC
6	NC
7	NC
8	NC
9	NC
10	SOA(+)
11	SOA(-)
12	NC
13	Case
14	TEC(-)

Option: Pin 2 & Pin 5 for thermistor

# INPHENIX

## Part Numbering System



**Model:**  
IPSADXXXX: SOA Device

**Package:**  
5: 14-pin Butterfly, Type B  
6: 14-pin Butterfly, Type C

**Fiber Type:**  
1: SM fiber  
2: PM fiber  
3: MM fiber  
8: SM ClearCurve fiber\*

**Jacket Type:**  
1: 900 $\mu$ m  
2: 250 $\mu$ m

**Connector Type:**  
0: No Connectors  
3: FC/APC  
4: FC/UPC  
7: SC/APC  
8: SC/UPC

**Example:** IPSAD1301-5110: 1310nm SOA in 14-pin Butterfly Package with 900 $\mu$ m SM Fiber with no Connectors.

\* SM ClearCurve fiber is not available on IPSAD0801, IPSAD0901 and IPSAD0902 products.

**Corporate Office**  
250 North Mines Rd  
Livermore, CA 94551  
Tel: 925.606.8809  
Fax: 925.606.8810  
[www.inphenix.com](http://www.inphenix.com)  
[sales@inphenix.com](mailto:sales@inphenix.com)

All information contained herein is believed to be accurate and is subject to change without notification. No responsibility is assumed. Please contact InPhenix for more information. InPhenix and the InPhenix logo are trademarks of InPhenix Inc. All rights are reserved.